

OVERVIEW

The Menace cobDriver converts the power from your model battery to the power requirement for the cobLEDs and can be configured from 2 to 8 LEDs.

SPECIFICATION cobDriver

Voltage:	7 – 26V (2-6S)
Dimensions:	26 x 26 x 5.7mm
Weight:	2.6 grams

SPECIFICATION cobLED

Dimensions:	60 x 8 x 1.9mm
Weight:	1.5 grams

CONNECTION and SETUP

Connect 2, 4, 6 or 8 LEDs to the driver.

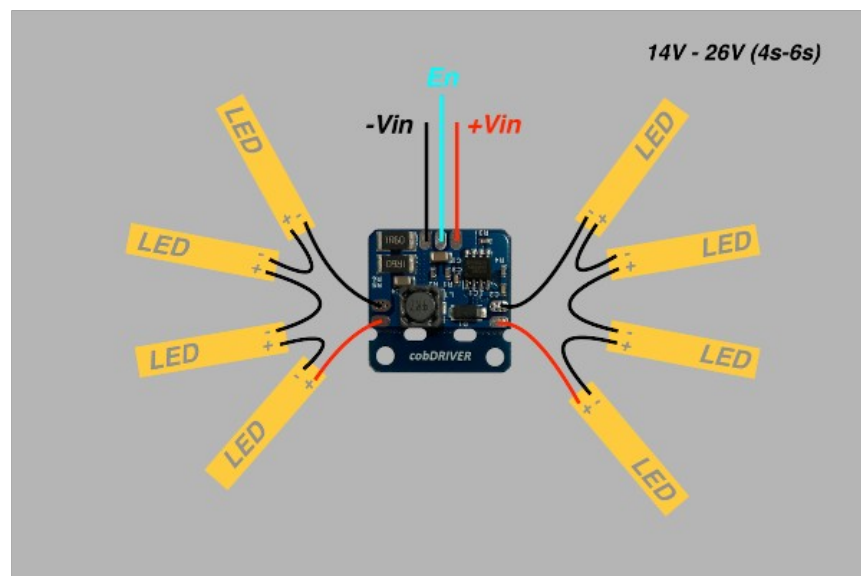
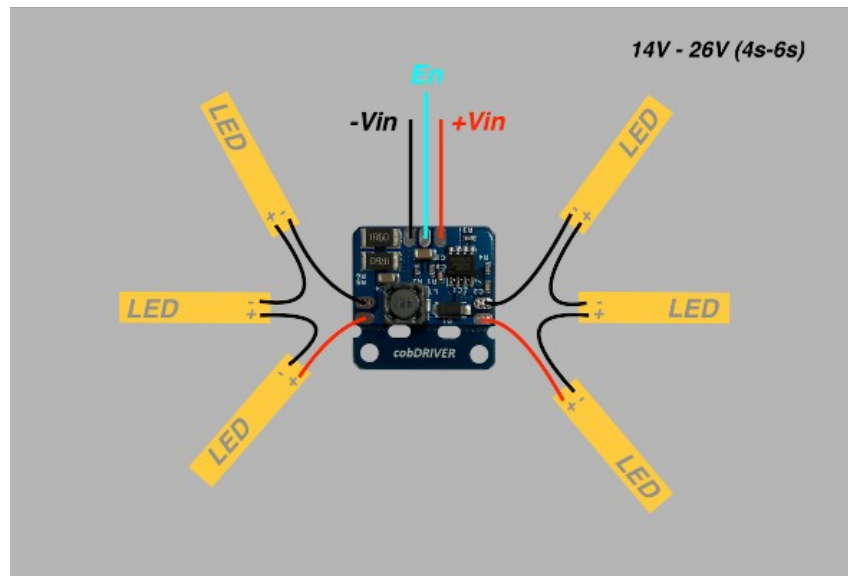
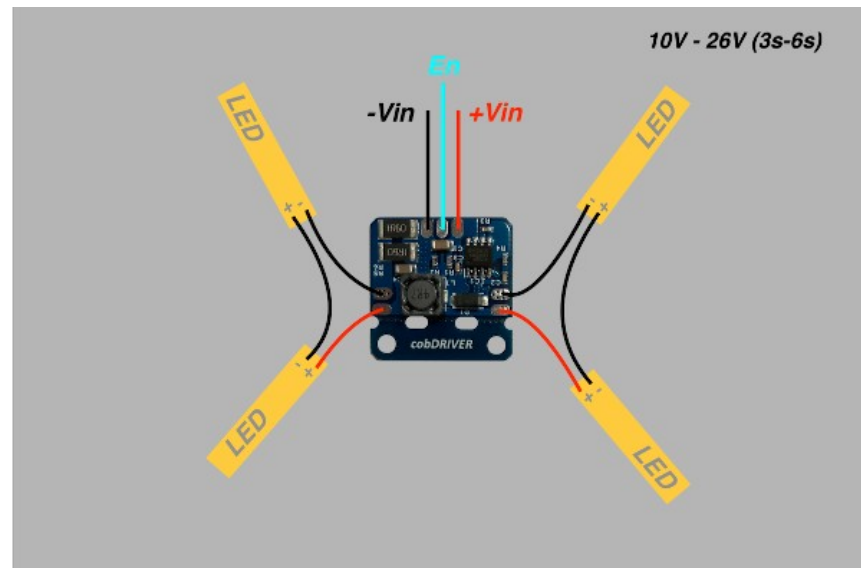
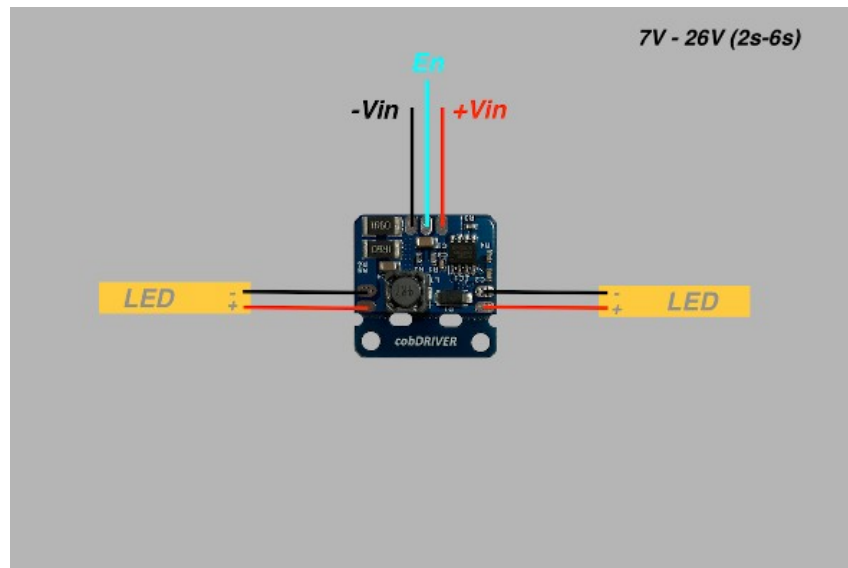
If mixing different colour LEDs balance the voltage each side of the driver. (Red 2V, White 3V & Blue 3V)

Connect a battery supply to the driver on the + and – Pads following the min voltage per number of LEDs.

The cobDriver will work with the EN pad disconnected for continuous operation.

For on/off control connect the EN pad of the driver to the FC and follow the setup instructions for your flight controller.

If you want to control the LEDs from a radio receiver a Menace RCswitch can be used to connect to the EN Pad.





SET UP MENACE LED DRIVER

BETAFLIGHT

For this procedure we are going to connect the EN of the Menace LED driver to the RX4 on the FC. Then we are going to assign a switch to control RX4 either high or low to switch the LED driver on or off.

In CLI:

1. LOCATE RESOURCE ID

Type **RESOURCE**

Locate the line with the word SERIAL_RX 4 make a note of the resource in our case A01

```
resource SERIAL_RX 4 A01
```

2. CLEAR EXISTING RESOURCE

To clear that pad from its existing assigned ready for us to use.

Type **RESOURCE SERIAL_RX 4 NONE**

3. SET CUSTOM MODE SWITCH

To set the custom mode switches type each line

```
set pinio_box = 40,41,42,43
```

```
aux 2 40 2 1600 2100 0
```

4. ASSIGN TO THE CUSTOM SWITCH

Now we assign A01 (RX4) to the custom mode switch we just created.

Type **resource PINIO 1 A01**

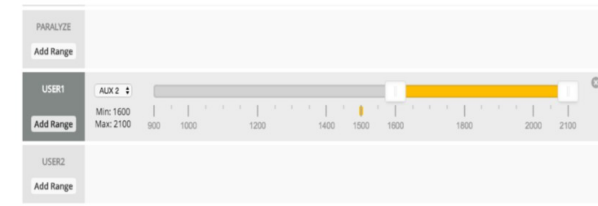
5. SAVE

Type **SAVE**

The FC will reboot after applying changes.

6. SET THE LED on/off SWITCH

Go to Modes tabs find **USER1** and assign it to whichever switch you want to control the LED on and off.

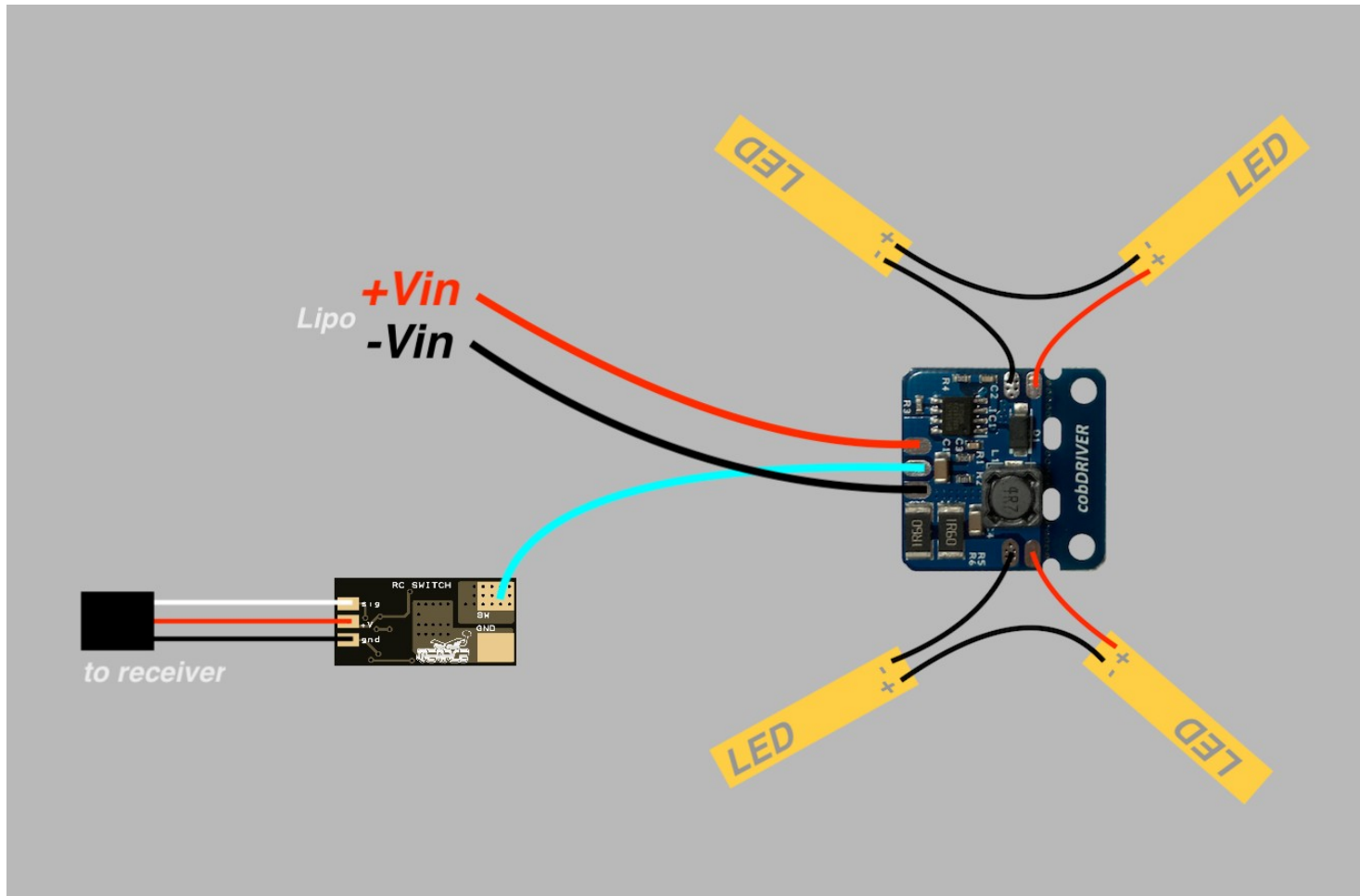


If you want the LED to come on when you arm assign it to the same switch as you use to arm the FC

Click **SAVE**.

7. TEST

Check that the switch operates the LED's

CONNECT MENACE LED DRIVER with RCswitch

Connecting the EN pad of the cobDRIVER to the SW pad of the Menace RCswitch with a single wire will allow it to be switched on and off via a channel on the radio receiver PWM signal.