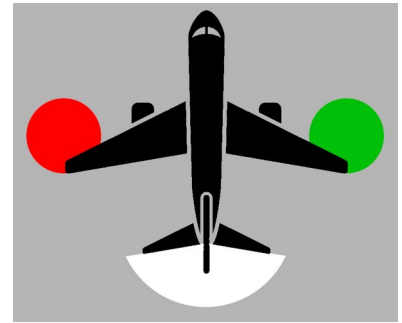


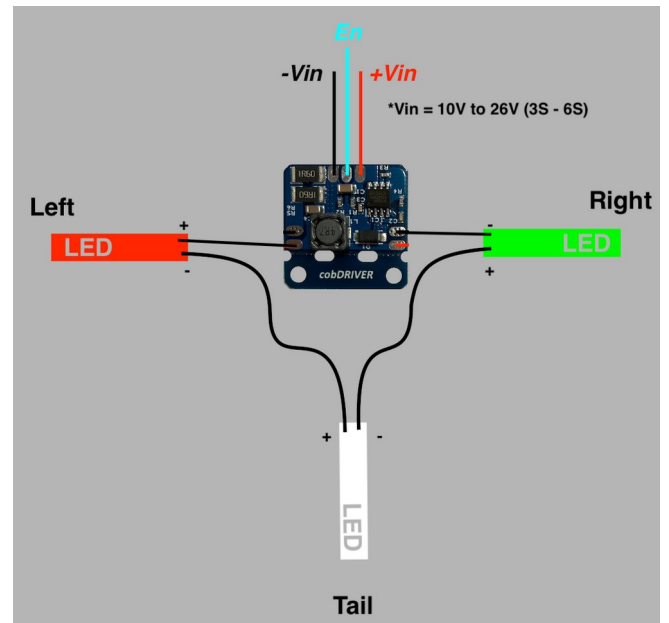
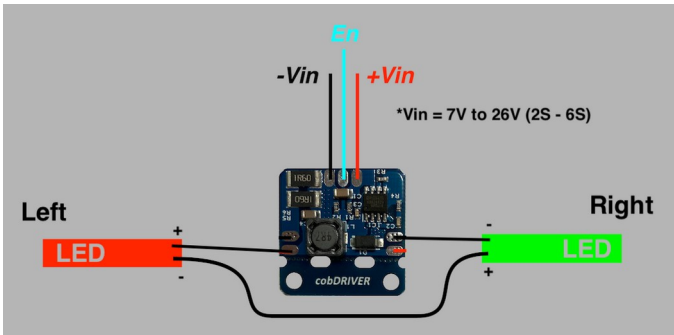
# RC PLANE POSITION NAVIGATION LEDs

Using the Menace COB Driver and COB LEDS.

- Left Wing Tip – RED
- Right Wing Tip – GREEN
- Rear Tail Light - WHITE



Wing tips RED and GREEN



Adding a WHITE tail LED >>>>>

Doubling up on the wing tip LEDs for forward and side coverage.

